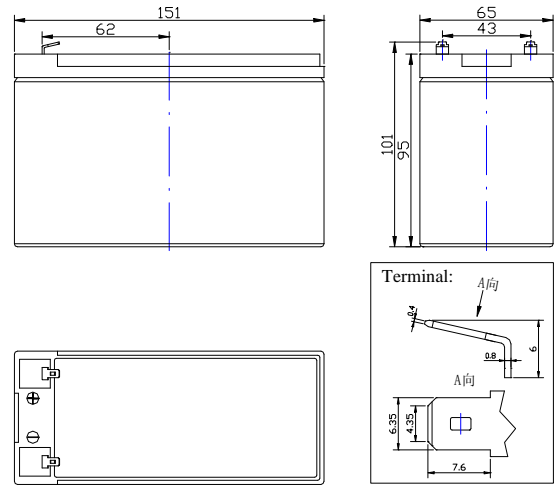


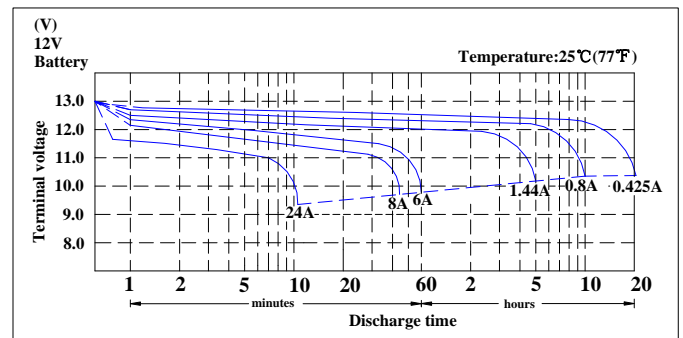
HGHL1235W



Specifications

Nominal Voltage	12V	
Capacity	35W @ 15 minute rate to 1.50V per cell	
	8Ah @ 10 hour rate to 1.75V per cell	
Dimension	Total Height (with terminals)	101mm(3.98inches)
	Height	95mm(3.74inches)
	Length	151mm(5.94inches)
	Width	65mm(2.56inches)
Weight	Approx.2.63kg (5.80lbs)	

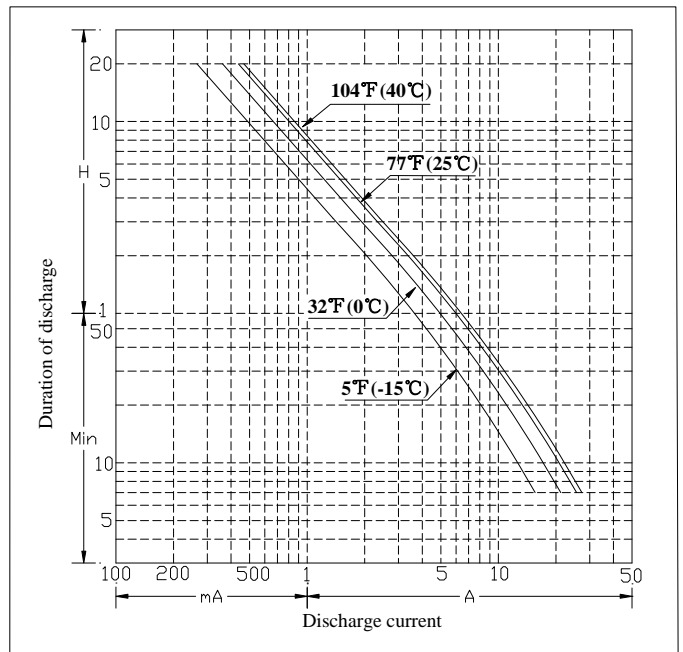
Discharge characteristics 77°F (25°C)



Characteristics

Capacity 77°F (25°C)	20 hour rate (425mA)	8.5AH
	10 hour rate (800mA)	8AH
	5 hour rate (1.44A)	7.2AH
	1hour rate (6A)	6AH
Internal Resistance	Full charged Battery 77°F (25°C)	14m Ω
Capacity affected by Temperature (20 hour rate)	104°F (40°C)	102%
	77°F (25°C)	100%
	32°F (0°C)	85%
	5°F (-15°C)	65%
Self-Discharge 77°F (25°C)	Capacity after 3 month storage	91%
	Capacity after 6 month storage	82%
	Capacity after 12 month storage	64%
Max. Discharge Current 77°F (25°C)	120A (5s)	
Terminal	Standard	F2
	Optional	F1
Charging (Constant Voltage)	Cycle	Initial Charging Current 1.6A Or Small 14.5V~14.9V/77°F (25°C)
	Float	13.6V~13.8V/77°F (25°C)

Duration of discharge vs. Discharge current



Constant Power Discharge Watts Per Cell @ 77°F (25°C)

Cut off voltage V/cell	5min	10min	15min	20min	30min	40min	50min	60min	90min
1.75	64	40	31	24	18.4	15.2	12.4	10.8	7.6
1.70	65	41	32	25	19.3	15.8	12.8	11.0	7.7
1.67	66	42	33	26	20	16.2	13.2	11.2	7.8
1.60	67	43	34	27	20.8	17	13.7	11.5	7.8
1.50	68	44	35	28	21.5	17.6	14	11.8	8.1

Note The above data are average values, and can be obtained within 3 charge/discharge cycles. These are not minimum values.