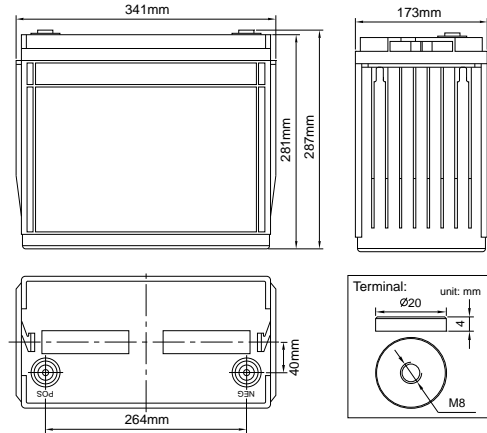


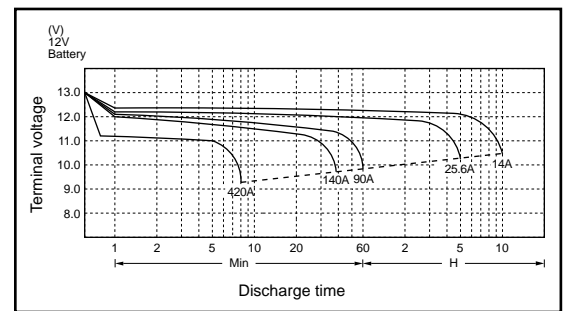
HGHL12540W



Specifications

Nominal Voltage	12V	
Capacity	540W@15 minute rate to 1.67V per cell	
	140Ah@10 hour rate to 1.75V per cell	
Dimension	Total Height (with terminals)	287mm(11.30inches)
	Height	281mm(11.06inches)
	Length	341mm(13.34inches)
	Width	173mm(6.8inches)
Weight	Approx.47.5kg(104.72lbs)	

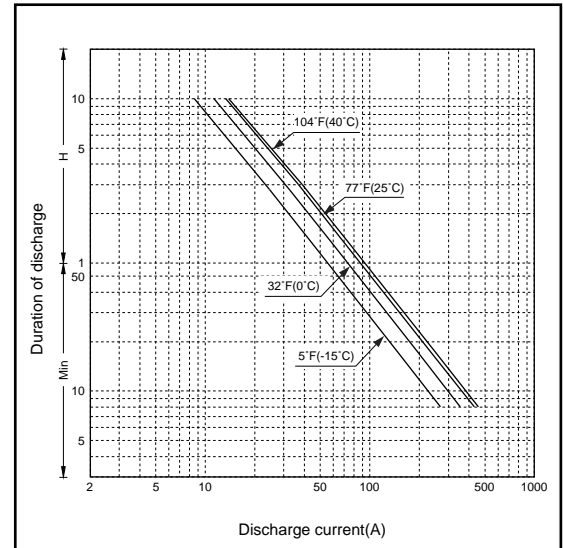
Discharge characteristics 77°F(25°C)



Characteristics

Capacity 77°F(25°C)	10 hour rate(14A)	140AH
	5 hour rate(25.6A)	128AH
	1 hour rate(90A)	90AH
Internal Resistance	Full charged Battery 77°F(25°C)	2.5mΩ
Capacity affected by Temperature (10 hour rate)	104°F(40°C)	102%
	77°F(25°C)	100%
	32°F(0°C)	85%
	5°F(-15°C)	65%
Self-Discharge 77°F(25°C)	Capacity after 3 month storage	88%
	Capacity after 6 month storage	76%
	Capacity after 12 month storage	53%
Max. Discharge Current 77°F(25°C)	2100A(5S)	
Terminal	Standard	F17
	Optional	
Charging (Constant Voltage)	Cycle	Initial Charging Current 28A Or Small 14.5V~14.9V/77°F(25°C)
	Float	13.6V~13.8V/77°F(25°C)

Duration of discharge vs. Discharge current



Constant Power Discharge Watts Per Cell @ 77°F(25°C)

Cut off voltage V/cell	5min	10min	15min	20min	30min	45min	60min
1.75	868	630	501	419	318	238	192
1.70	942	670	527	438	330	246	197
1.67	981	690	540	447	336	249	200
1.65	1003	701	547	452	338	251	201
1.63	1023	710	553	456	341	252	202
1.60	1048	721	559	459	343	253	202

Note The above data are average values, and can be obtained within 3 charge/discharge cycles. These are not minimum values.