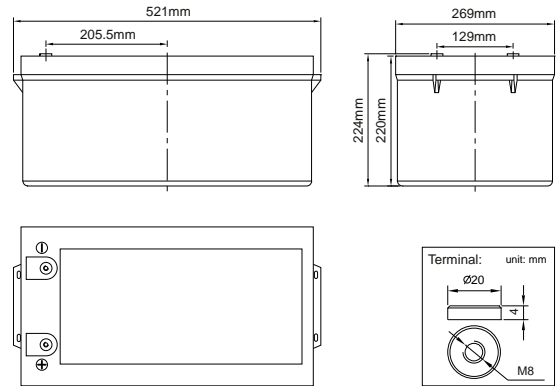


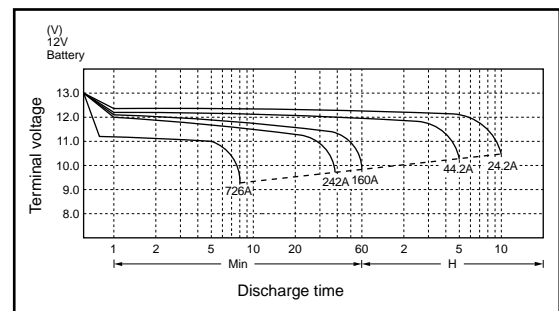
HGHL12910W



Specifications

Nominal Voltage	12V	
Capacity	910W@15 minute rate to 1.67V per cell	
	242Ah@10 hour rate to 1.75V per cell	
Dimension	Total Height (with terminals)	224mm(8.82inches)
	Height	220mm(8.66inches)
	Length	521mm(20.51inches)
	Width	269mm(10.59inches)
Weight	Approx.89.0kg(196.21lbs)	

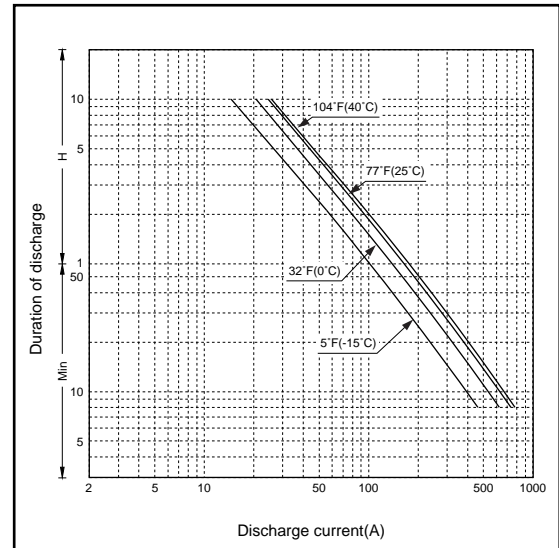
Discharge characteristics 77°F(25°C)



Characteristics

Capacity 77°F(25°C)	10 hour rate(24.2A)	242AH
	5 hour rate(44.2A)	221AH
	1 hour rate(160A)	160AH
Internal Resistance	Full charged Battery 77°F(25°C)	1.8mΩ
Capacity affected by Temperature (10 hour rate)	104°F(40°C)	102%
	77°F(25°C)	100%
	32°F(0°C)	85%
	5°F(-15°C)	65%
Self-Discharge 77°F(25°C)	Capacity after 3 month storage	88%
	Capacity after 6 month storage	76%
	Capacity after 12 month storage	53%
Max. Discharge Current 77°F(25°C)	3270A(5S)	
Terminal	Standard	F17
	Optional	
Charging (Constant Voltage)	Cycle	Initial Charging Current 48.4A Or Small 14.5V~14.9V/77°F(25°C)
	Float	13.6V~13.8V/77°F(25°C)

Duration of discharge vs. Discharge current



Constant Power Discharge Watts Per Cell @ 77°F(25°C)

Cut off voltage V/cell	5min	10min	15min	20min	30min	45min	60min
1.75	1290	1012	829	703	542	405	324
1.70	1431	1092	883	744	568	421	336
1.67	1505	1133	910	763	580	429	341
1.65	1549	1156	925	774	587	432	343
1.63	1587	1175	937	782	592	435	345
1.60	1635	1198	950	791	597	438	347

Note The above data are average values, and can be obtained within 3 charge/discharge cycles. These are not minimum values.