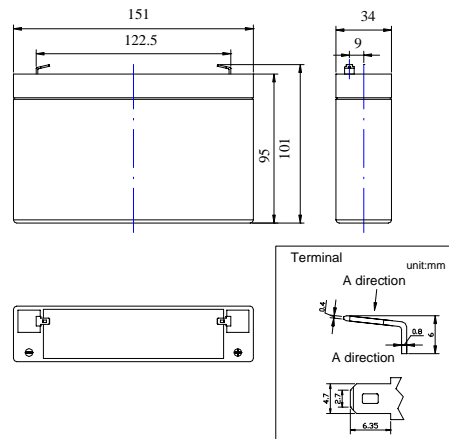


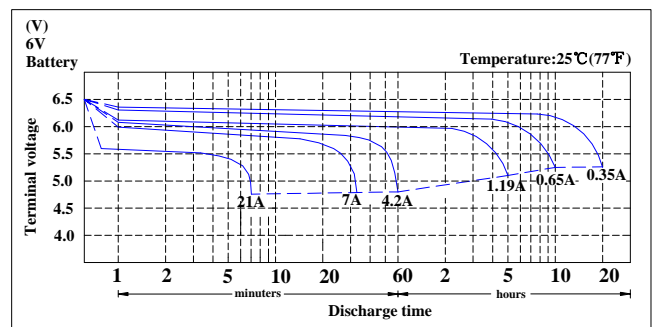
HGL7-6



Specifications

Nominal Voltage		6V
Rated Capacity (20 hour rate)		7 AH
Dimension	Total Height (with terminals)	101mm(3.98inches)
	Height	95mm(3.74inches)
	Length	151mm(5.94inches)
	Width	34mm(1.34inches)
Weight		Approx. 1.18kg (2.60lbs)

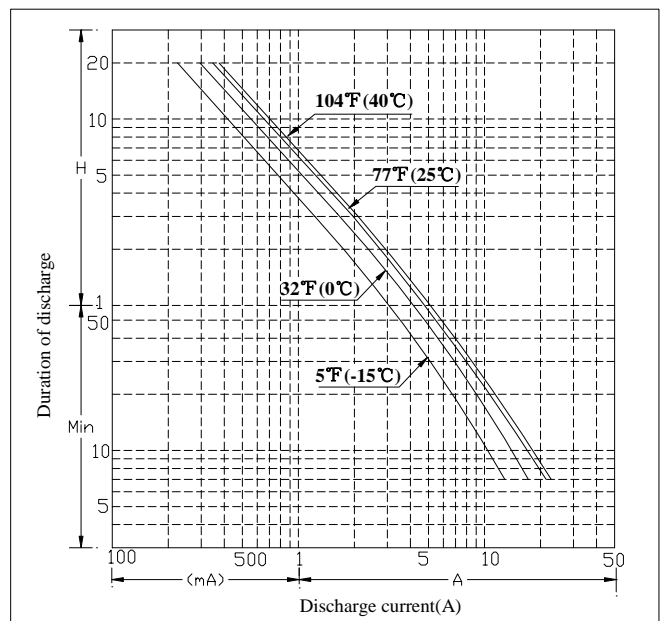
Discharge characteristics 77°F (25°C)



Characteristics

Capacity 77°F (25°C)	20 hour rate (0.35 A to 5.25Volts)	7.0AH
	10 hour rate (0.65A to 5.25Volts)	6.5AH
	5 hour rate (1.19A to 5.1Volts)	5.95AH
	1 hour rate (4.2A to 4.8Volts)	4.2AH
Internal Resistance	Full charged 77°F (25°C)	12m Ω
Standard Terminal	F1	
Capacity affected by Temperature (20 hour rate)	104°F (40°C)	102%
	77°F (25°C)	100%
	32°F (0°C)	85%
	5°F (-15°C)	65%
Self-Discharge 77°F (25°C)	Capacity after 3 month storage	91%
	Capacity after 6 month storage	82%
	Capacity after 12 month storage	64%
Max. Discharge Current 77°F (25°C)	105A (5s)	
Maximum Charge Current(A)	1.4A	
Charging (Constant Voltage)	Cycle	7.25V~7.45V/77°F (25°C)
	Float	6.8V~6.9V/77°F (25°C)
Temperature compensation coefficient of charging voltage (mV/°C/cell)	Cycle	-4mV/°C/cell
	Float	-3mV/°C/cell

Duration of discharge vs. Discharge current



Constant Current Discharge Rating Amperes @ 77°F (25°C)

Cut off voltage V/cell	15M	30M	45M	1H	2H	3H	5H	8H	10H	12H	20H
1.75V	11.84	7.39	5.21	4.15	2.30	1.72	1.19	0.796	0.651	0.554	0.350

Note The above data are average values, and can be obtained with 3 charge/discharge cycles. These are not minimum values.