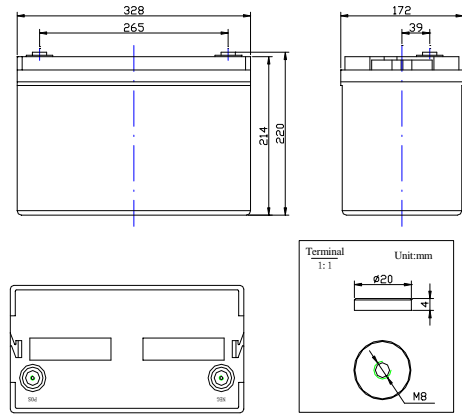


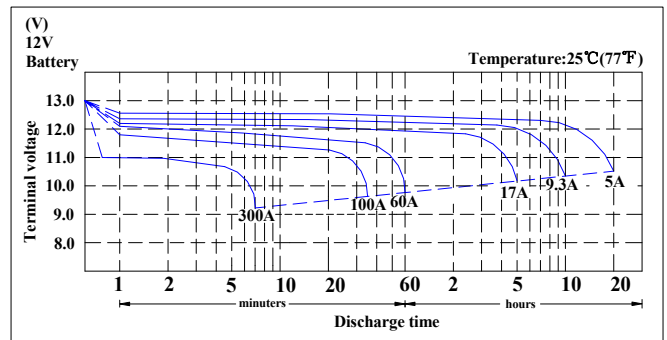
# HL100-12



## Specifications

Nominal Voltage		12V
Rated Capacity (20 hour rate)		100AH
Dimension	Total Height (with terminals)	220mm(8.66inches)
	Height	214mm(8.43inches)
	Length	328mm(12.91inches)
	Width	172mm(6.77inches)
Weight		Approx.32.4kg (71.28lbs)

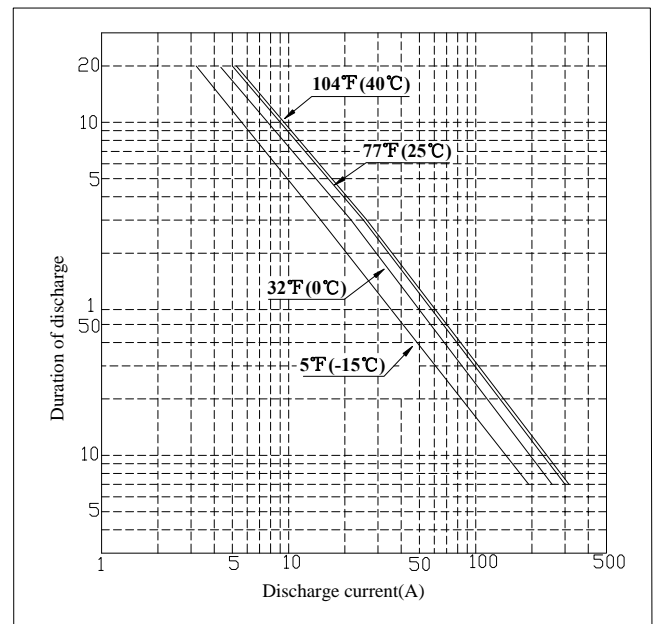
## Discharge characteristics 77°F (25°C)



## Characteristics

Capacity 77°F (25°C)	20 hour rate (5.5A to 10.5Volts)	100AH
	5 hour rate (17A to 10.2Volts)	85AH
	1hour rate (60A to 9.6 Volts)	60AH
Internal Resistance	Full charged Battery 77°F (25°C)	4.5mΩ
Standard Terminal	M8	
Capacity affected by Temperature (20 hour rate)	104°F (40°C)	102%
	77°F (25°C)	100%
	32°F (0°C)	85%
	5°F (-15°C)	65%
Self-Discharge 77°F (25°C)	Capacity after 3 month storage	88%
	Capacity after 6 month storage	76%
	Capacity after 12 month storage	53%
Max. Discharge Current 77°F (25°C)	1500A (5s)	
Reserve Capacity		@ 25Amps 165Min
(Minutes to 10.5V at 80°F (27°C))		@ 75Amps 43Min
Charging (Constant Voltage)	Cycle	Initial Charging Current 20A Or Small 14.5V~14.9V/77°F (25°C)
	Float	13.6V~13.8V/77°F (25°C)

## Duration of discharge vs. Discharge current



## Constant Current Discharge Rating Amperes @ 77 °F (25°C)

Cut off voltage V/cell	15M	30M	45M	1H	2H	3H	5H	8H	10H	12H	20H	24H
1.70V	175	101.8	72.6	58.5	33.3	24.78	17.14	11.43	9.33	7.94	5.02	4.21
1.75V	164	98.8	71.2	57.6	32.8	24.50	16.95	11.38	9.30	7.92	5.00	4.19