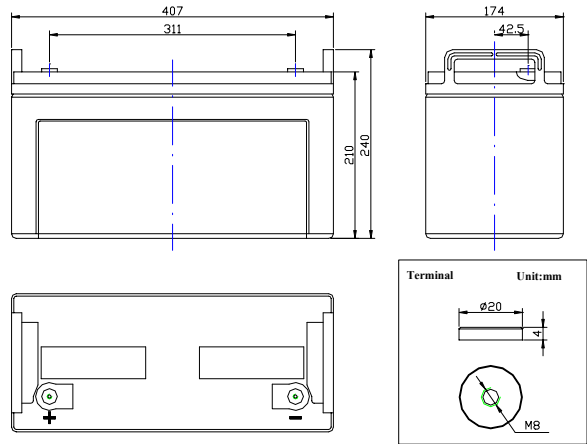


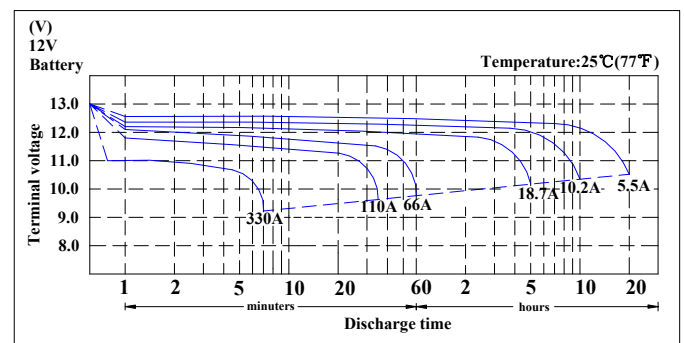
HL110-12A



Specifications

Nominal Voltage		12V
Rated Capacity (20hour rate)		110AH
Dimension	Total Height (with terminals)	240mm(9.45 inches)
	Height	210mm(8.27inches)
	Length	407mm(16.02inches)
	Width	174mm(6.85inches)
Weight		Approx.37.6kg (82.72lbs)

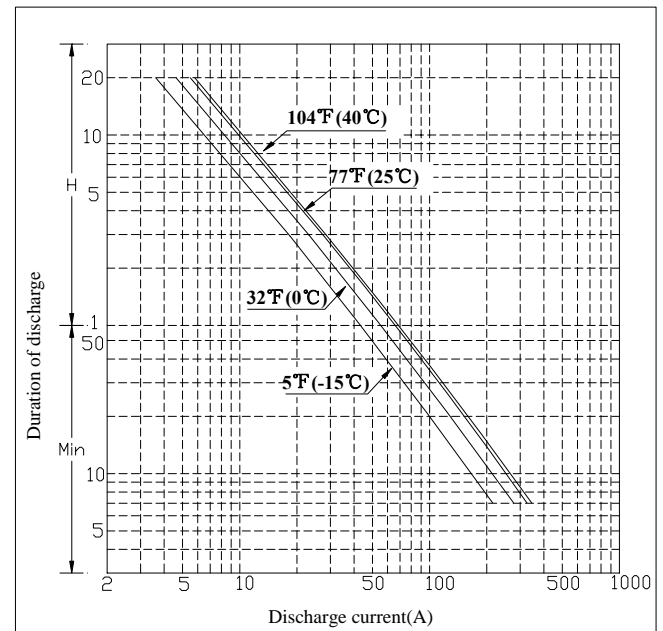
Discharge characteristics 77°F (25°C)



Characteristics

Capacity 77°F (25°C)	20 hour rate (5.5A to 10.5Volts)	110AH	
	5 hour rate (10.2A to 10.2Volts)	102AH	
	1 hour rate (66A to 9.6Volts)	66AH	
Internal Resistance	Full charged 77°F (25°C)	4 mΩ	
Standard Terminal	M8		
Capacity affected by Temperature (20 hour rate)	104°F (40°C)	102%	
	77°F (25°C)	100%	
	32°F (0°C)	85%	
	5°F (-15°C)	65%	
Self-Discharge 77°F (25°C)	Capacity after 3 month storage	88%	
	Capacity after 6 month storage	76%	
	Capacity after 12 month storage	53%	
Max. Discharge Current 77°F (25°C)	1500A (5s)		
Reserve Capacity (Minutes to 10.5V at 80°F (27°C))		@ 25Amps	190Min
		@ 75Amps	50Min
Charging (Constant Voltage)	Cycle	Initial Charging Current 22A Or Small 14.5V~14.9V/77°F (25°C)	
	Float	13.6V~13.8V/77°F (25°C)	

Duration of discharge vs. Discharge current



Constant Current Discharge Rating Amperes @ 77 °F (25°C)

Cut off voltage V/cell	15M	30M	45M	1H	2H	3H	5H	8H	10H	12H	20H	24H
1.70V	193	111.9	79.8	64.3	36.6	27.26	18.85	12.58	10.26	8.73	5.52	4.63
1.75V	180	108.7	78.3	63.4	36.1	26.95	18.65	12.51	10.23	8.71	5.50	4.60