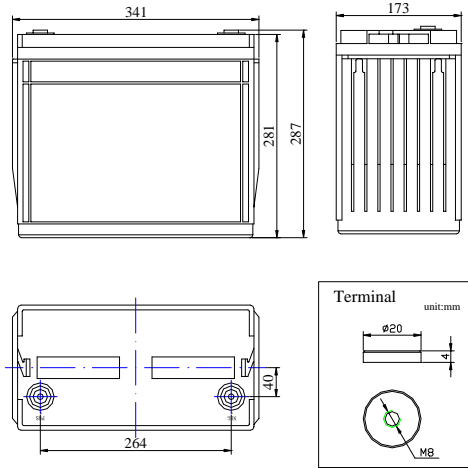


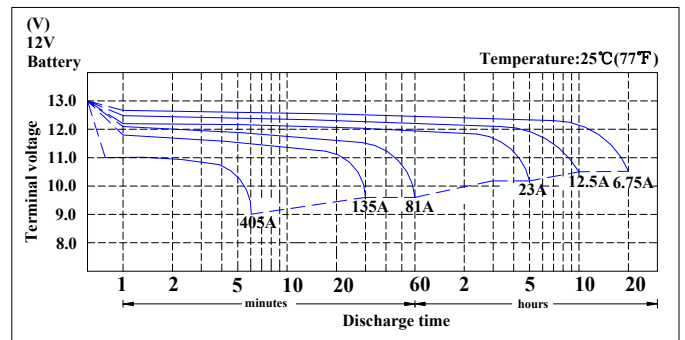
□ HL135-12



Specifications

Nominal Voltage		12V
Rated Capacity (20 hour rate)		135AH
Dimension	Total Height (with terminals)	287mm(11.30inches)
	Height	281mm(11.06inches)
	Length	341mm(13.43inches)
	Width	173mm(6.81inches)
Weight		Approx.43.5kg (95.7lbs)

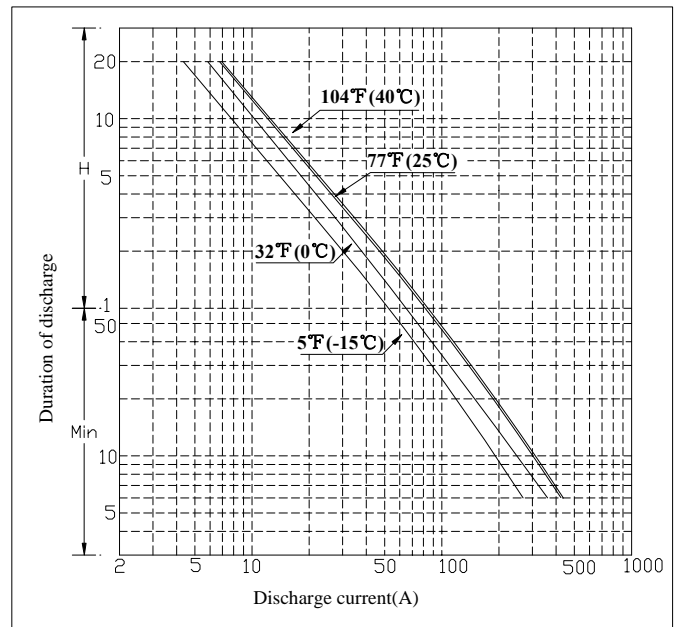
Discharge characteristics 77 °F (25 °C)



Characteristics

Capacity 77°F (25°C)	20 hour rate (6.75A to 10.5Volts)	135AH
	5 hour rate (23A to 10.2Volts)	115AH
	1 hour rate (81A to 9.6 Volts)	81AH
Internal Resistance	Full charged 77°F (25°C)	3.6mΩ
Standard Terminal	M8	
Capacity affected by Temperature (20 hour rate)	104°F (40°C)	102%
	77°F (25°C)	100%
	32°F (0°C)	85%
	5°F (-15°C)	65%
Self-Discharge 77°F (25°C)	Capacity after 3 month storage	88%
	Capacity after 6 month storage	76%
	Capacity after 12 month storage	53%
Max. Discharge Current 77°F (25°C)	1400A (5s)	
Reserve Capacity (Minutes to 10.5V at 80°F (27°C))	@ 25Amps	250Min
	@ 75Amps	75Min
Charging (Constant Voltage)	Cycle	Initial Charging Current 27A Or Small 14.4V~14.9V/77°F (25°C)
	Float	13.6V~13.8V/77°F (25°C)

Duration of discharge vs. Discharge current



Constant Current Discharge Rating Amperes @ 77°F (25°C)

Cut off voltage V/cell	15M	30M	45M	1H	2H	3H	5H	8H	10H	12H	20H	24H
1.70V	223	132.1	96.2	76.3	44.2	33.46	22.74	15.43	12.59	10.72	6.77	5.68
1.75V	208	128.3	94.3	75.2	43.7	33.08	22.49	15.36	12.56	10.69	6.75	5.65