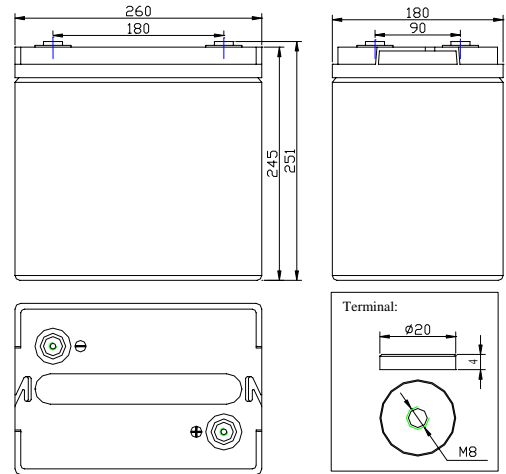


# HL200-6



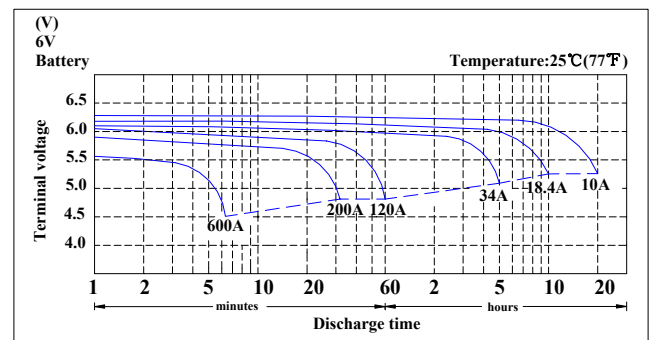
## Specifications

Nominal Voltage		6V
Rated Capacity (20 hour rate)		200AH
Dimension	Total Height (with terminals)	251mm(9.88inches)
	Height	245mm(9.64inches)
	Length	260mm(10.24inches)
	Width	180mm(7.09inches)
Weight		Approx.30.0 kg (66.0lbs)

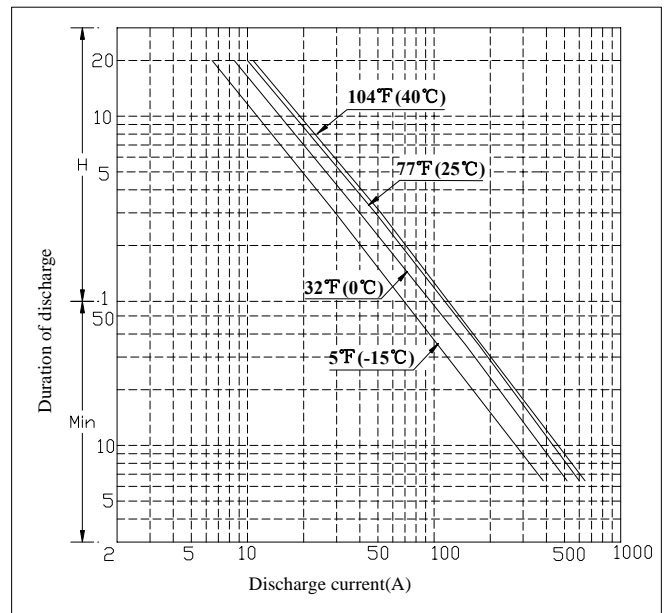
## Characteristics

Capacity 77°F (25°C)	20 hour rate (10A to 5.25Volts)	200AH
	5 hour rate (34A to 5.1Volts)	170AH
	1 hour rate (120A to 4.8Volts)	120AH
Internal Resistance	Full charged 77°F (25°C)	1.7mΩ
Standard Terminal	M8	
Capacity affected by Temperature (20 hour rate)	104°F (40°C)	102%
	77°F (25°C)	100%
	32°F (0°C)	85%
	5°F (-15°C)	65%
Self-Discharge 77°F (25°C)	Capacity after 3 month storage	88%
	Capacity after 6 month storage	76%
	Capacity after 12 month storage	53%
Max. Discharge Current 77°F (25°C)	2000A (5s)	
Reserve Capacity (Minutes to 10.5V at 80°F (27°C))	@ 25Amps	393Min
	@ 75Amps	99Min
Charging (Constant Voltage)	Cycle	Initial Charging Current 40A Or Small 7.25V~7.45V/77°F (25°C)
	Float	6.8V~6.9V/77°F (25°C)

## Discharge characteristics 77°F (25°C)



## Duration of discharge vs. Discharge current



## Constant Current Discharge Rating Amperes @ 77 °F (25°C)

Cut off voltage V/cell	30M	45M	1H	2H	3H	5H	8H	10H	12H	20H	24H
1.70V	193	141	113	65.5	49.6	33.7	22.86	18.66	15.88	10.03	8.41
1.75V	188	138	111	64.7	49.0	33.3	22.75	18.60	15.83	10.00	8.37